



Z H O N E™

Z-EDGE 64 QUICK START GUIDE

June 2002

Zhone Technologies
@Zhone Way
7001 Oakport Street
Oakland, CA 94621 USA
510.777.7000
www.zhone.com
Email: info@zhone.com

COPYRIGHT ©2000-2002 Zhone Technologies, Inc. and its licensors. All rights reserved.

This publication is protected by copyright law. No part of this publication may be copied or distributed, transmitted, transcribed, stored in a retrieval system, or translated into any human or computer language in any form or by any means, electronic, mechanical, magnetic, manual or otherwise, or disclosed to third parties without the express written permission from Zhone Technologies, Inc.

AccessNode, Arca-DACS, BAN, MALC, NetHorizon, Sector, SkyZhone45, SLMS, Z-Edge, Z-Plex, ZMS, and Universal Edge are trademarks of Zhone Technologies, Inc.

Zhone and the Zhone logo are trademarks of Zhone Technologies, Inc.

All other trademarks and registered trademarks are the property of their respective holders.

Zhone Technologies makes no representation or warranties with respect to the contents hereof and specifically disclaims any implied warranties of merchantability, noninfringement, or fitness for a particular purpose. Further, Zhone Technologies reserves the right to revise this publication and to make changes from time to time in the contents hereof without obligation of Zhone Technologies to notify any person of such revision or changes.

REGULATORY INFORMATION

This equipment has been tested and found to comply with the limits of EN55022 Class B rules. These limits are designed to provide reasonable protection against harmful interference when the equipment is operated in a commercial environment. This equipment generates, uses, and can radiate radio frequency energy and, if not installed and used in accordance with the user manual, can increase the potential for harmful interference to radio communications. Operation of this equipment in a residential area is likely to cause harmful interference, in which case users will be required to correct the interference at their own expense.

No modifications or changes to this equipment are allowed, unless the changes or modifications are expressly approved by the manufacturer.

It is recommended that shielded cables be used to reduce interference whenever interference is suspected.

CONTENTS

REGULATORY INFORMATION.....	4
Conventions used in this guide.....	7
Typographical conventions.....	9
Related documents.....	10
Important safety instructions.....	10
Z-Edge 64 Quick Start Guide	13
Package contents	14
Installation	16
Physical interfaces	16
Mount.....	18
Connect to PC	20
Connect to power supply	22
Connect to Ethernet hub	24
Connect to WAN	26
Connect phone lines.....	28
POTS	28

ISDN	28
Customer Service and Ordering Information	30
Technical Support	30
Documentation feedback.....	31

ABOUT THIS GUIDE

This guide is intended for use by system users or administrators.

Conventions used in this guide

The following conventions are used throughout this book to alert the reader to information that is useful and instructional, concerning potential damage to data or equipment, and concerning potential bodily injury or death. Carefully read and follow the instructions included in this guide.



Note: A note presented in this manner gives important information, supplemental information, or amplifies information previously referenced.



Caution: A caution alerts the reader to a situation that could lead to damage to system equipment or to system data.



WARNING! A warning alerts the reader to a situation that could lead to bodily injury or death.

Typographical conventions

The following typographical styles are used in this guide to represent specific types of information.

Bold	Used for names of profiles when placed in the body. Also used for commands, options, parameters in body text, and user input in body text.
Fixed	Used in file names, path names, and the contents of online files or directories.
Fixed Bold	Used in code examples for text typed by the user.
<i>Fixed bold italic</i>	Used for variable user input.
<i>Italic</i>	Used for book titles, chapter titles, file path names, notes in the text.

Related documents

Refer to the following publications for additional information:

- *Z-Edge 64 Configuration Guide*
- *Zhone CLI Reference Guide*

Important safety instructions

There are several precautions to take before installing or servicing the product.



Note: When using your telephone equipment, safety precautions should always be followed to reduce the risk of fire, electric shock and injury to persons. Read and follow all warning notices and instructions marked on the product or included in this guide.



Caution: The power supply cord serves as the main power disconnect. It is important that the socket-outlet be readily accessible.

Never install telephone wiring during a lightning storm.

Never install this product in a wet location.

Never install telephone jacks in wet locations unless the jack is designed for this purpose.

Never touch uninsulated telephone wires or terminals unless the telephone line has first been disconnected at the network interface.

Use caution when installing or modifying telephone lines.

Never attempt to service this product unless you are an authorized service technician. Disregarding this warning can result in injury or damage to the unit and void all warranties.

This product is intended for use with a three-wire grounding type power cable, which is a safety feature. Equipment grounding is vital to ensure safe operation. Do not defeat the purpose of the grounding type plug by modifying the plug or using an adapter.

Important safety instructions

Prior to installation of the unit, use an outlet tester or a voltmeter to check the AC receptacle for the presence of earth ground. If the receptacle is not properly grounded, the installation must not continue until a qualified electrician has corrected the grounding problem.

Slots and openings in the product are provided for ventilation. To ensure reliable operation of the product and to protect it from overheating, these slots and openings must not be blocked or covered.

Do not allow anything to rest on the power cord. Do not place the product where persons could step or walk on the power cord.

Do not attempt to service this product yourself. To avoid exposure to dangerous high-voltage points or other risks, refer all servicing to qualified service personnel.

Special cables, which may be required by the regulatory inspection authority for the installation site, are the responsibility of the buyer.

When installed in the final configuration, the product must comply with the applicable Safety Standards and regulatory requirements of the country in which it is installed. If necessary, consult with the appropriate regulatory agencies and inspection authorities to ensure compliance.

Z-EDGE 64 QUICK START GUIDE

This document explains how to install the Z-Edge 64 hardware. Refer to the *Z-Edge 64 Configuration Guide* for configuration procedures and detailed information about the Z-Edge 64.

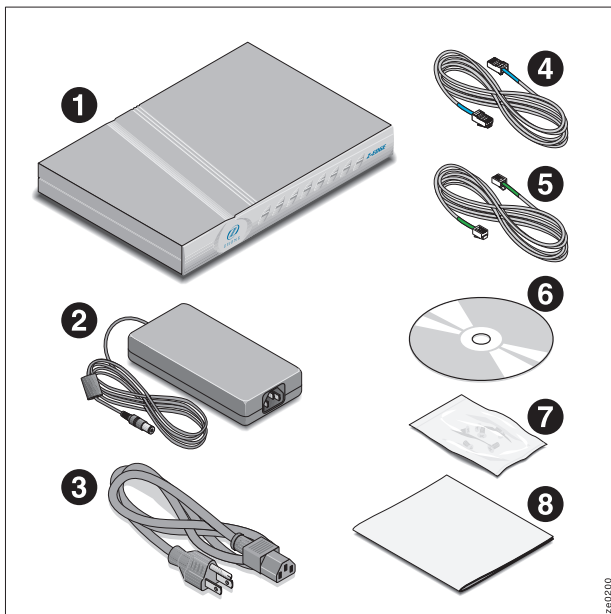
Here is a general overview of the steps necessary to install the Z-Edge 64:

- [Package contents, page 14](#)
- [Installation, page 16](#)
- [Physical interfaces, page 16](#)
- [Mount, page 18](#)
- [Connect to PC, page 20](#)
- [Connect to power supply, page 22](#)
- [Connect to Ethernet hub, page 24](#)
- [Connect to WAN, page 26](#)
- [Connect phone lines, page 28](#)

Package contents

The Z-Edge 64 package contains the items listed below. If anything is damaged or missing, please contact your distributor.

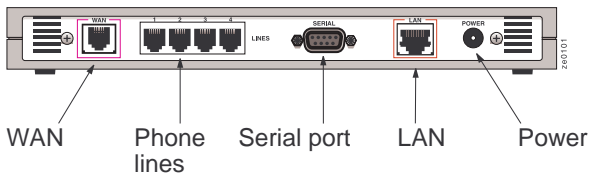
- Z-Edge 64 chassis – **1**
- Power supply – **2**
- Power cord – **3**
- RJ45 LAN straight-through cable (color-coded blue) – **4**
- RJ11 WAN cable (color-coded green) – **5**
- Z-Edge 64 CD-ROM – **6**
- Install kit (including two mounting screws, two wall anchors) – **7**
- *Z-Edge 64 Quick Start Guide* – **8**



Installation

Ensure that you have the necessary cabling and connectors for installation. To connect to a single PC rather than to a hub, use a standard Ethernet crossover cable. Refer to the *Z-Edge 64 Configuration Guide* for site, power, and temperature requirements when installing the Z-Edge 64.

Physical interfaces



The Z-Edge 64 has following physical interfaces on the back panel:

- WAN: One RJ11 port.

A standard RJ11 port connects unshielded twisted pair (UTP) copper wire to wall outlets.

- LAN: One 10/100BaseT RJ45 port.

A 10/100BaseT port carries both management and data traffic, and interconnects with most Transfer Control Protocol/Internet Protocol (TCP/IP) hubs and networks.

- Serial: One DB9 port.

A single DB9 asynchronous serial port provides direct PC or virtual terminal (such as VT100) access to the Z-Edge 64. The serial port allows access to the CLI.

- Phone lines:

Z-Edge 64 BH2A: Four RJ48C ports support ISDN BRI.

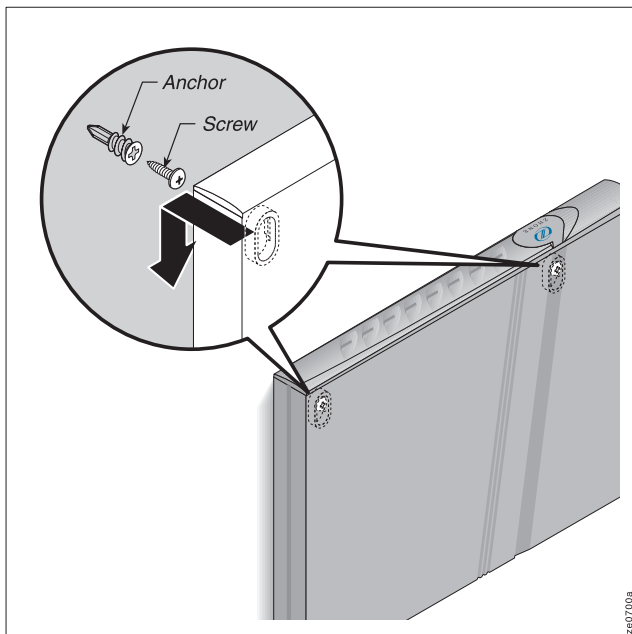
Z-Edge 64 H2A: Four RJ11 ports support POTS.

Refer to the *Z-Edge 64 Configuration Guide* for cable pinouts.

Mount

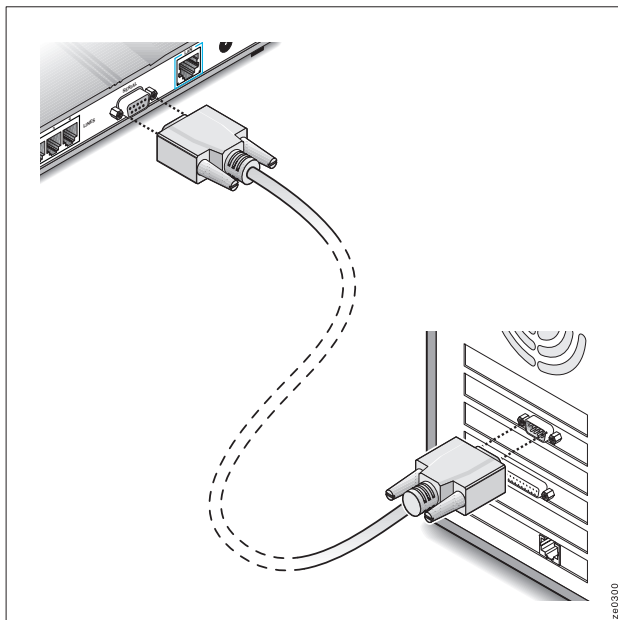
The Z-Edge 64 is a compact device that can fit in a small space on a tabletop or mounted on a wall. Place it on a flat, firm, dry surface, that is free of contamination and close to the power supply connection. Provide adequate room for ventilation and cabling access to the back panel.

Use the wall anchors and screws provided in the install kit to wall-mount the Z-Edge 64.



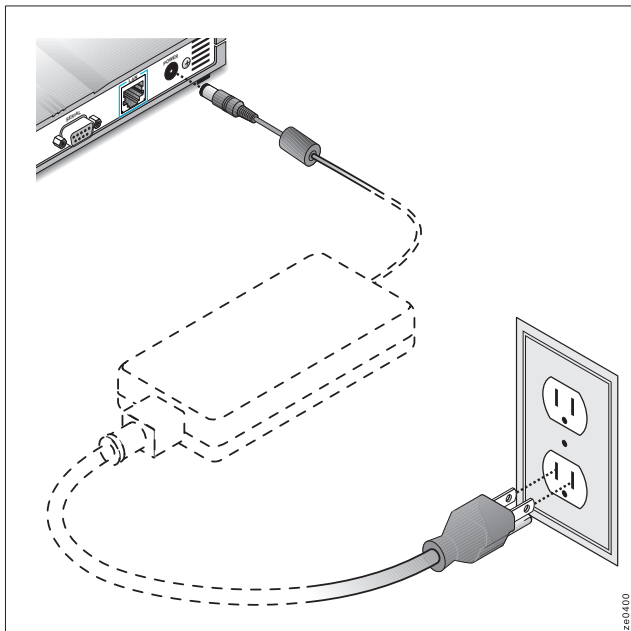
Connect to PC

Attach a serial cable to the serial port on the Z-Edge 64 (DB-9 male to DB-9 female). Connect the other end of the serial cable to the COM port of your PC (DB-9 female to DB-9 male). (Refer to *Z-Edge 64 Configuration Guide* for out-of-band serial management of the unit.)



Connect to power supply

Insert the male end of the power supply cable into the power port on the back panel of the Z-Edge 64. Plug the three-prong end of power supply cable into an AC outlet. Power will be applied to the unit. Front-panel LEDs will light to verify connection of the power supply.

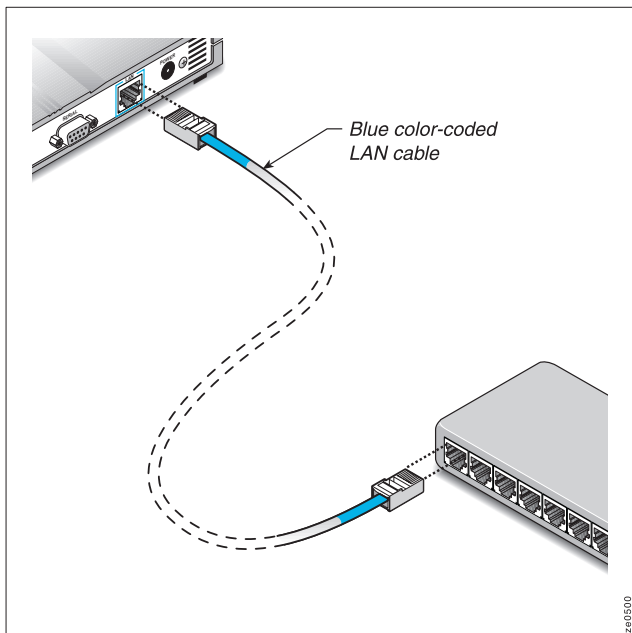


Connect to Ethernet hub

Insert one end of the supplied RJ45 LAN straight-through cable (blue color-coded) into the LAN port on the back panel of the Z-Edge 64. Insert the other end of the RJ45 LAN cable into the appropriate port of your Ethernet hub.

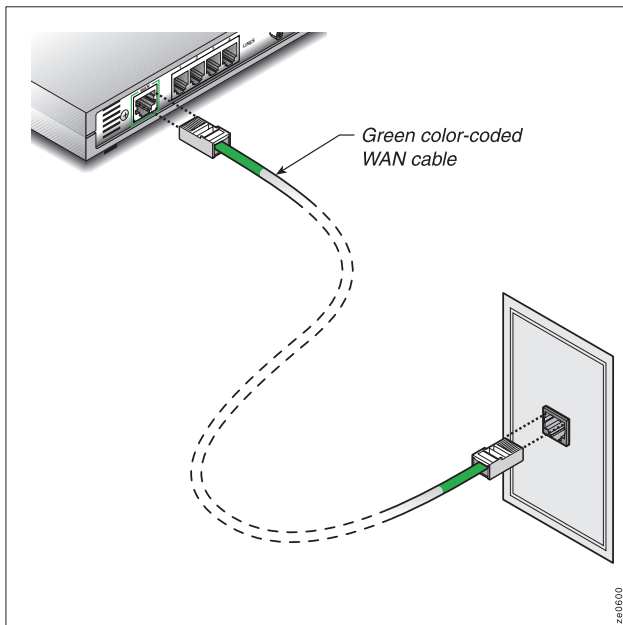


Note: If you want to connect to a single PC rather than a hub, you will need a standard Ethernet crossover cable.



Connect to WAN

Insert one end of the supplied RJ11 WAN cable (green color-coded) into the WAN port on the back panel of the Z-Edge 64. Insert the other end of the RJ11 WAN cable into your wall outlet. The WAN LED on the front panel will stay continuously lit during WAN communications.



Connect phone lines

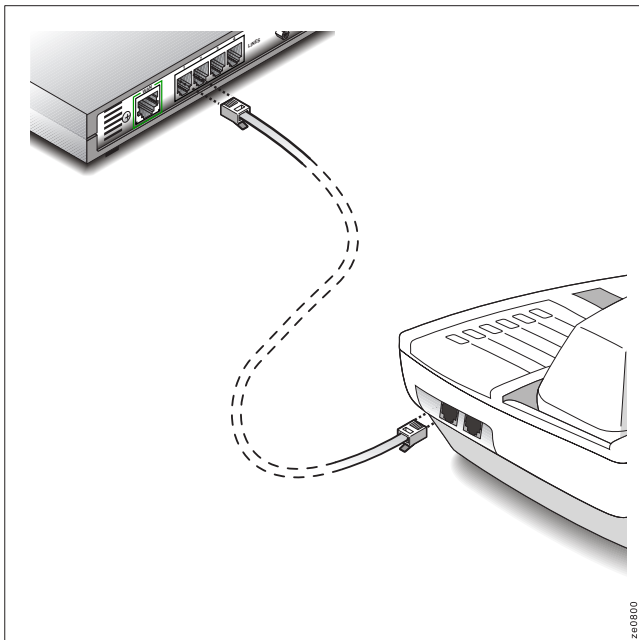
The Z-Edge 64 H2A provides POTS. The Z-Edge 64 BH2A provides ISDN BRI.

POTS

Insert the male connector of a standard RJ11 cable into one of the four RJ11 phone ports on the back panel of the Z-Edge 64. Insert the other end of the RJ11 cable into the port of your phone.

ISDN

Insert the male connector of a standard RJ48C cable into one of the four RJ48C phone ports on the back panel of the Z-Edge 64. Insert the other end of the RJ48C cable into the S/T interface of your ISDN BRI device. Refer to the *Z-Edge 64 Configuration Guide* for more information on physical interface diagnostics and configuring the Z-Edge 64.



Customer Service and Ordering Information

Technical Support

Contact Global Service and Support (GSS) if you have any questions about this or other Zhone products. Before contacting GSS, make sure you have the following information:

- Zhone product you are using
- System configuration
- Software version running on the system
- Description of the issue

Contact GSS using any of the following methods:

- Email: support@zhone.com
- Phone: 877-ZHONE20 (946-6320)
- International: (510) 777-7133
- Web: <http://www.zhone.com/support>

Documentation feedback

You can submit feedback on Zhone documentation using the web (www.zhone.com), e-mail (techpubs@zhone.com), or by writing to:

Technical Publications
Zhone Technologies, Inc.
7001 Oakport Street
Oakland, CA 94621

